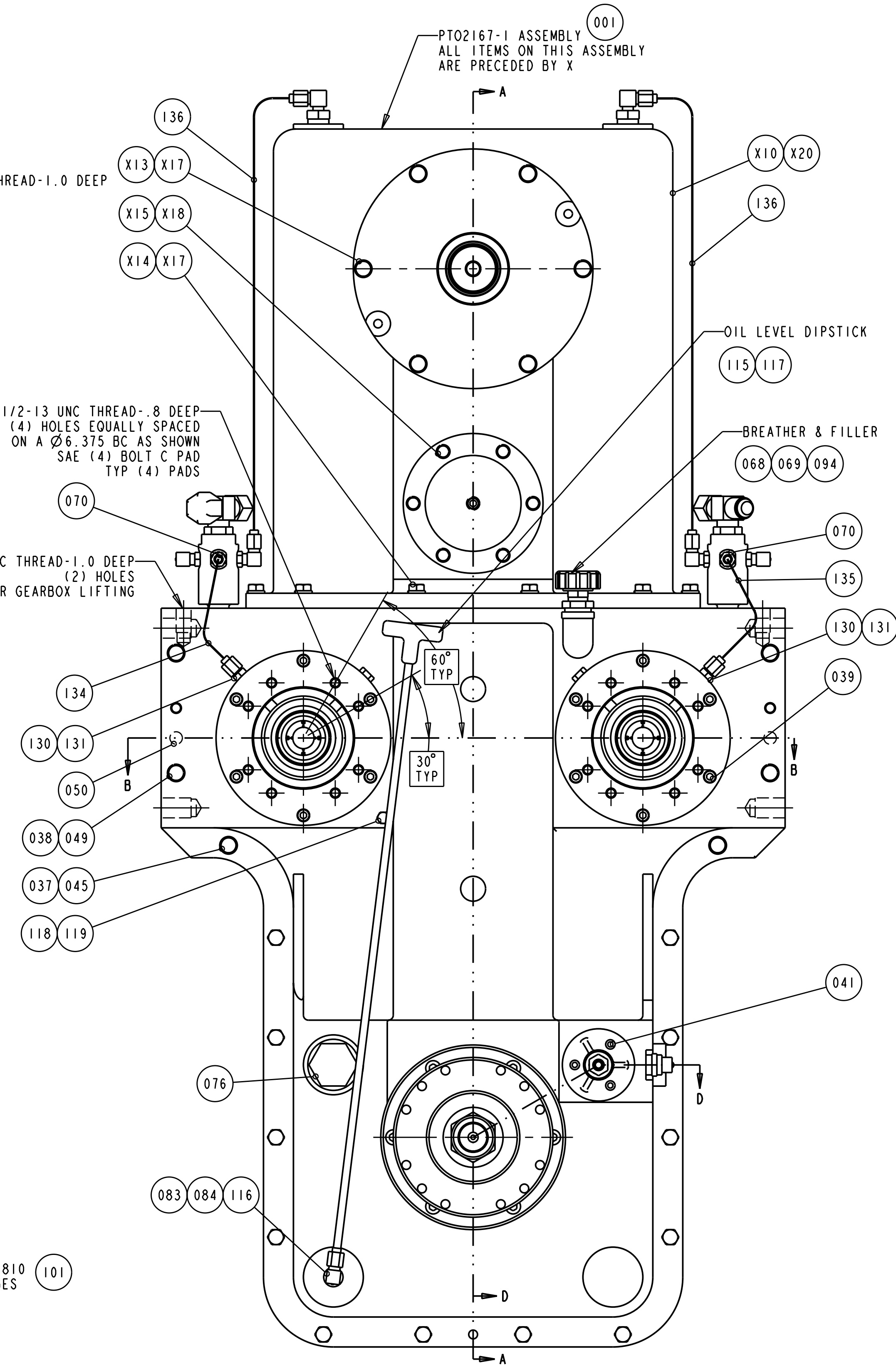
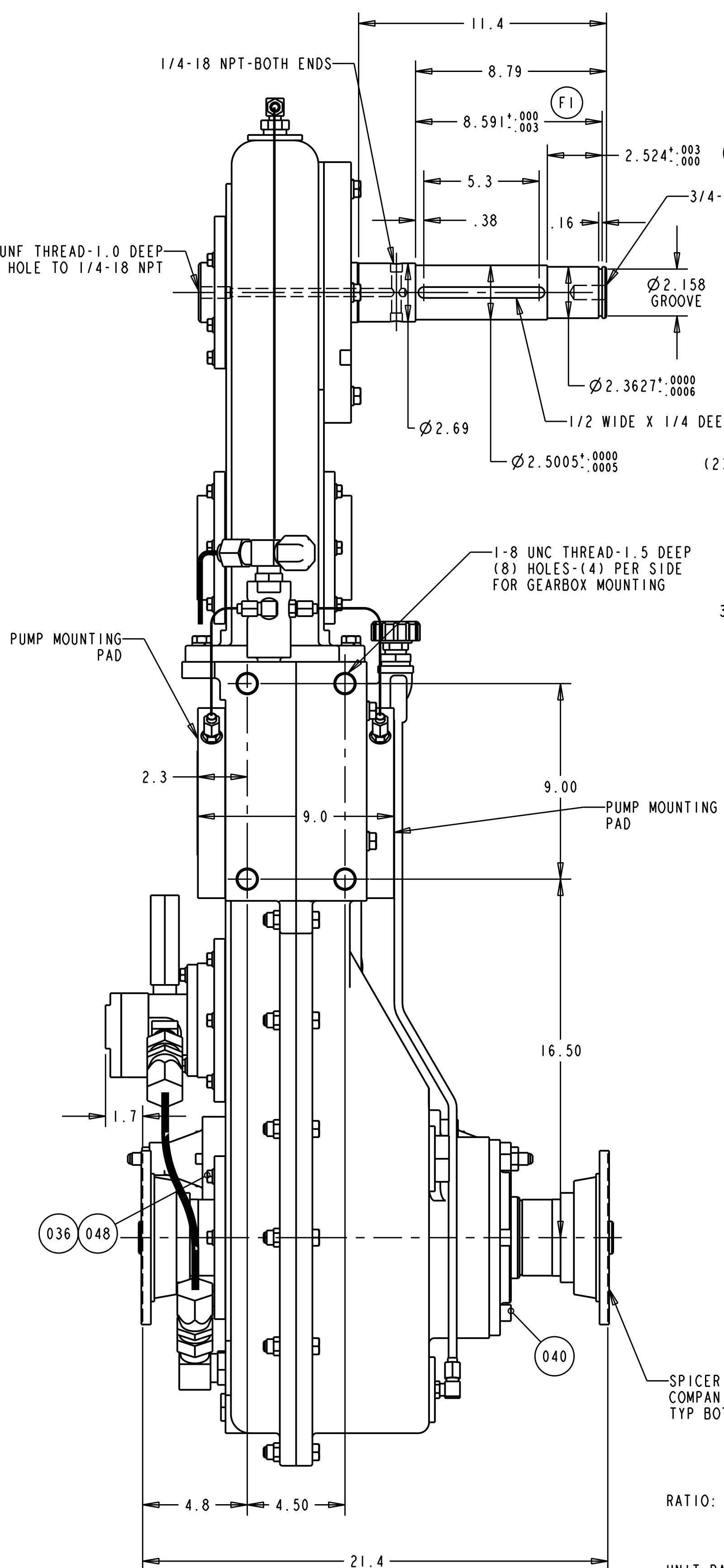
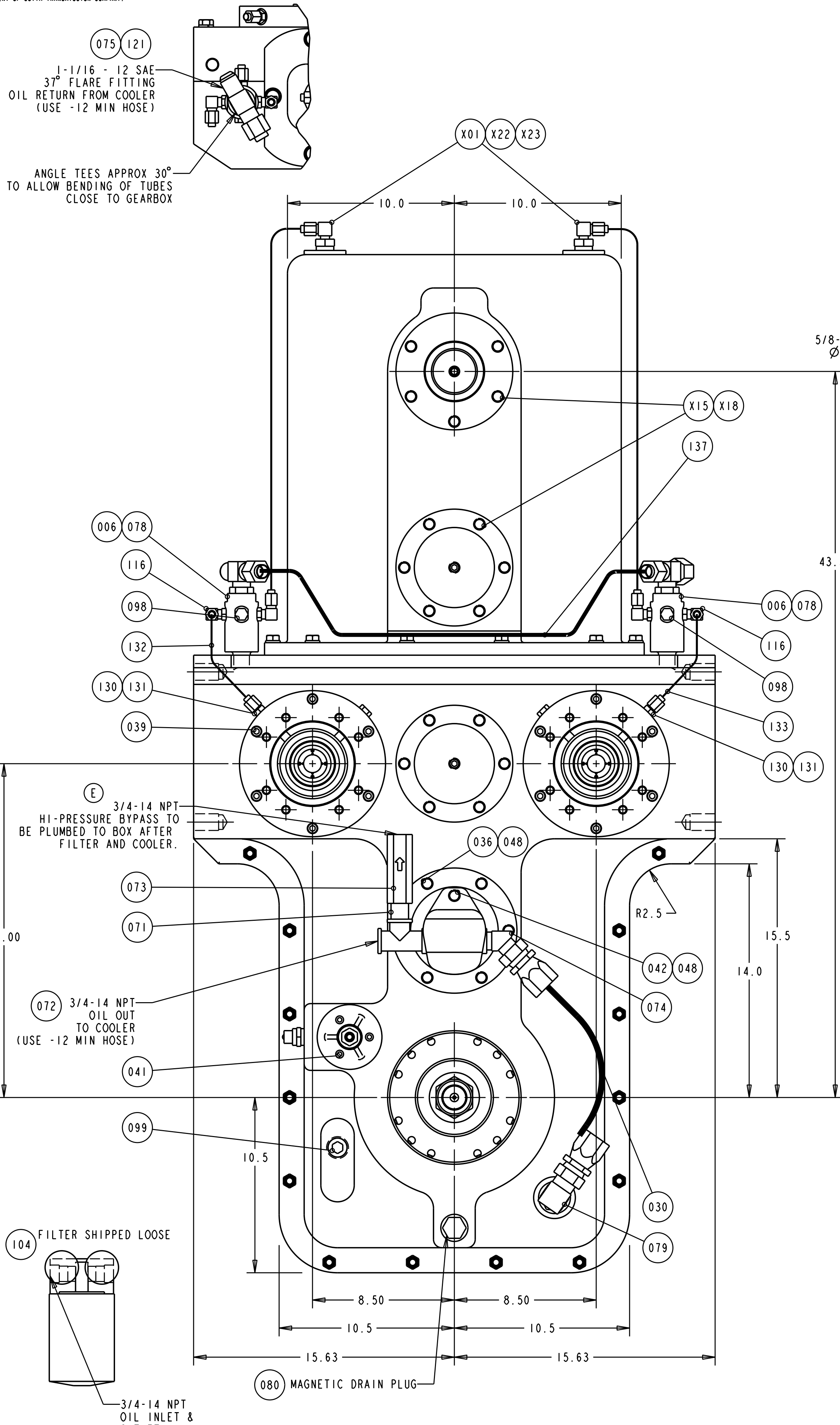


PROPRIETARY NOTICE: THIS DRAWING AND ALL INFORMATION THEREON IS THE PROPERTY OF COTTA TRANSMISSION COMPANY. THIS DRAWING IS NOT TO BE COPIED OR USED FOR THE PURPOSE OF MANUFACTURING EXCEPT BY WRITTEN CONSENT OF COTTA TRANSMISSION COMPANY.

ENGINEERING CHANGE NOTICES				
LTR	DESCRIPTION	ECN	DATE	BY
A	WAS ITEM 003(SHT 2)	8471	29-JAN-99	RJL
B	B1 - ADDED NOTE (SHT 2) B2 - WAS 2500 RPM	8507	09-MAR-99	SBL
C	REPLACED 012 WITH 012 AND 109 (SHT 2) ADDED TORQUE NOTE (SHT 2)	8550	07-Jun-99	ACH
D	ADDED RADIAL PLY NOTES (SHT 2)	8818	01-Nov-99	SBL
E	ADDED VALVE, FILTER REMOTE MOUNT	8878	13-Jan-00	SST
F	F1: WAS +/- .001 F2: ADDED DIM	9010	25-APR-00	SBL
G	ADDED TUBE ASSEMBLIES	9131	06-Sep-00	RJL

NOTE: ADD LOCTITE STUD-LOC TO ALL CAPSCREWS LOCATED IN THRU HOLES OF CASE & COVER



RATIO: 1 TO 1.07 OVERSPEED - PTO PADS

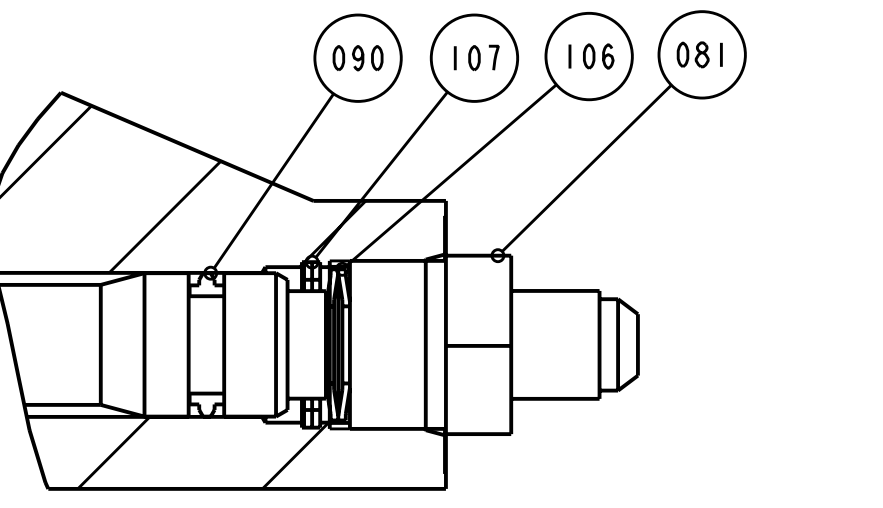
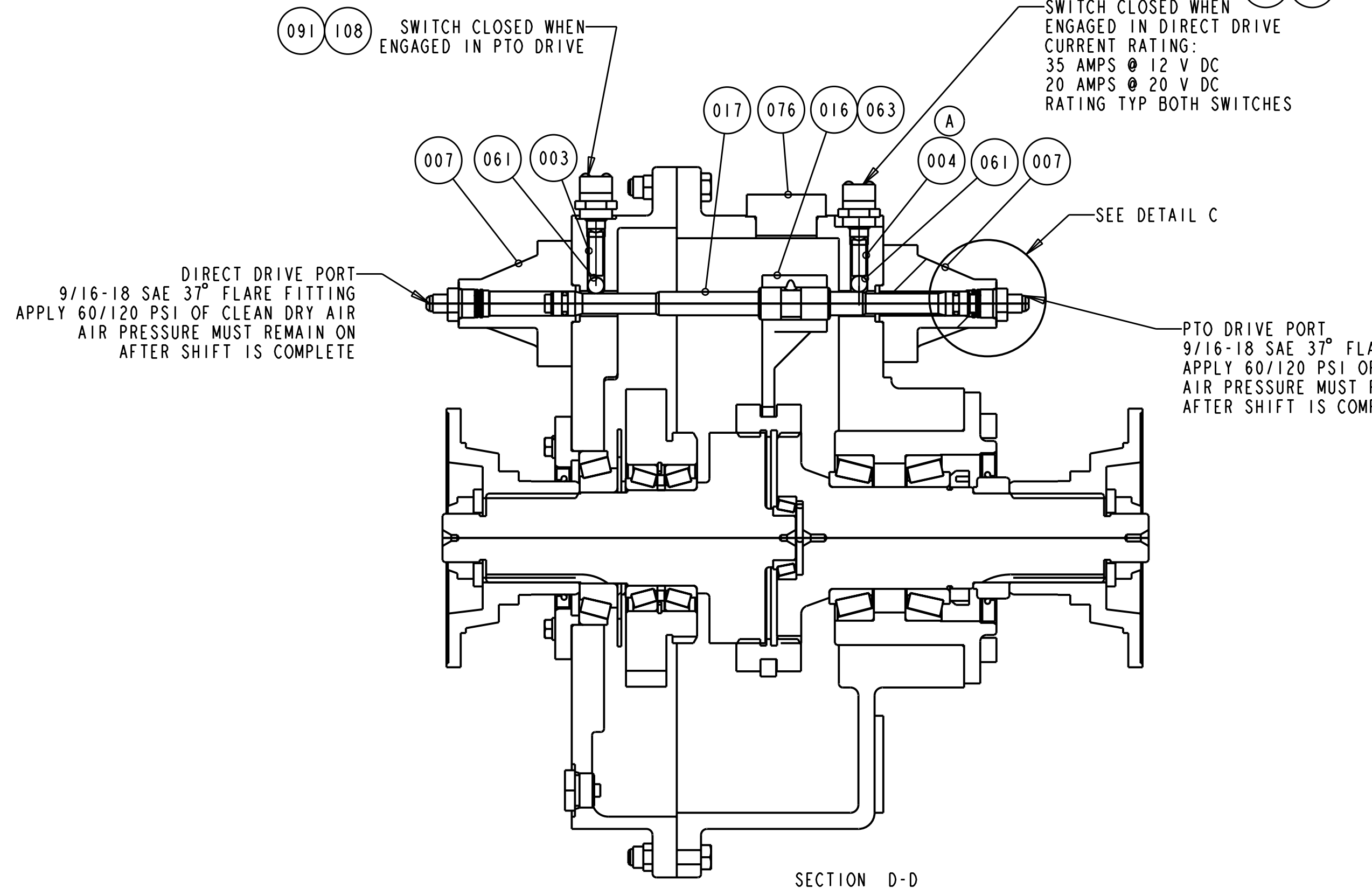
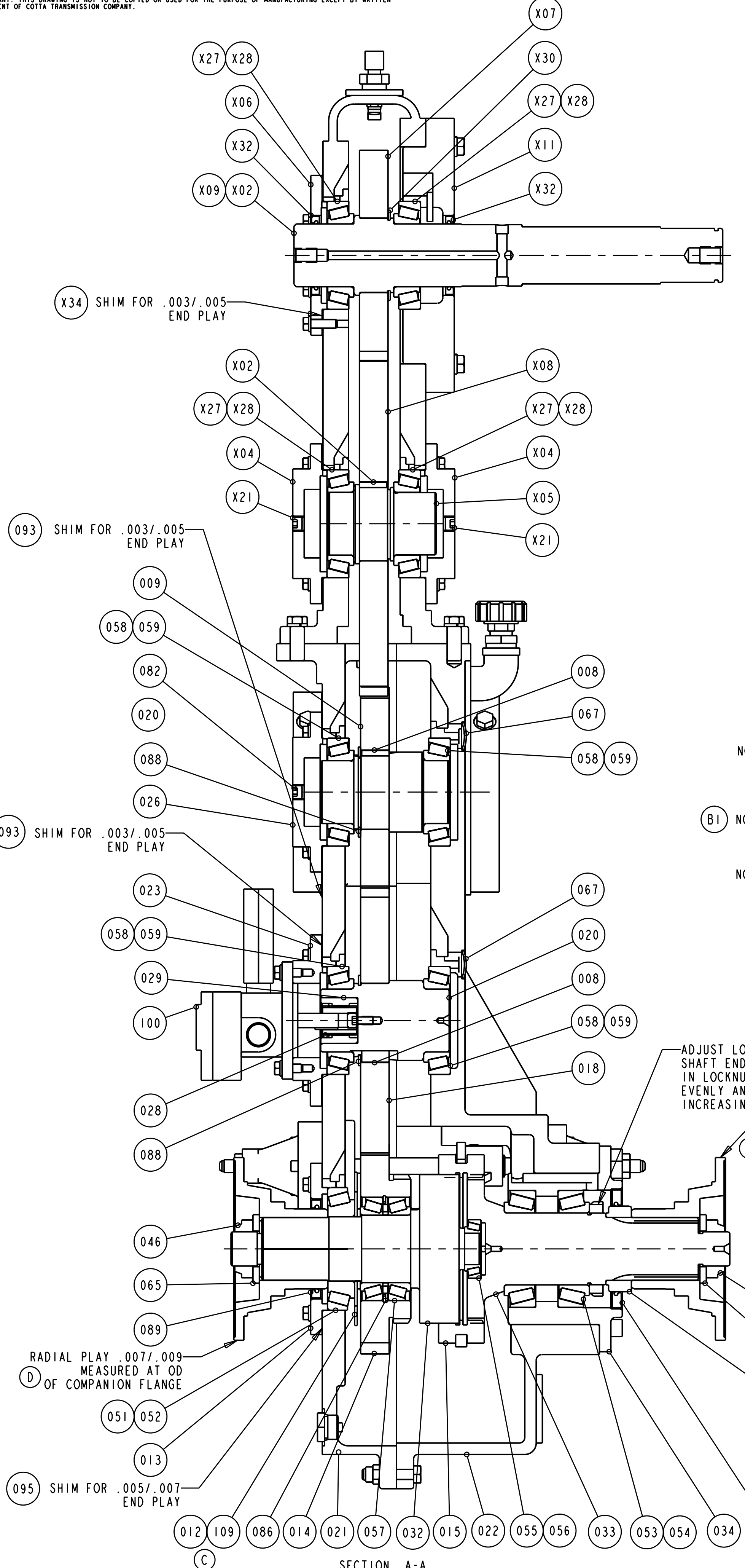
UNIT RATING:
TRUCK/THRU DRIVE: 12500 FT-LB MAX
PTO DRIVE: 1200 FT-LB MAX TOTAL
COMPRESSOR SHAFT: 1200 FT-LB
"C" PUMP PADS: 500 FT-LB PER PAD
INPUT SPEED: 3000 RPM

REVISION DATE
06-Sep-00

MODEL	TR2165		COTTA TRANSMISSION COMPANY, LLC 1301 PRINCE HALL DRIVE BELOIT, WI 53511	
DRAWN	BAN	DATE	18-May-98	PART NAME
CHECKED	BAN	DATE	29-MAY-98	TRANSFER CASE
APPROVED		DATE		PART NUMBER
SCALE	0.25	SHEET	1 OF 2	TR2165-7
DIMENSIONS ARE IN INCHES				

PROPRIETARY NOTICE: THIS DRAWING AND ALL INFORMATION THEREON IS THE PROPERTY OF COTTA TRANSMISSION COMPANY. THIS DRAWING IS NOT TO BE COPIED OR USED FOR THE PURPOSE OF MANUFACTURING EXCEPT BY WRITTEN CONSENT OF COTTA TRANSMISSION COMPANY.

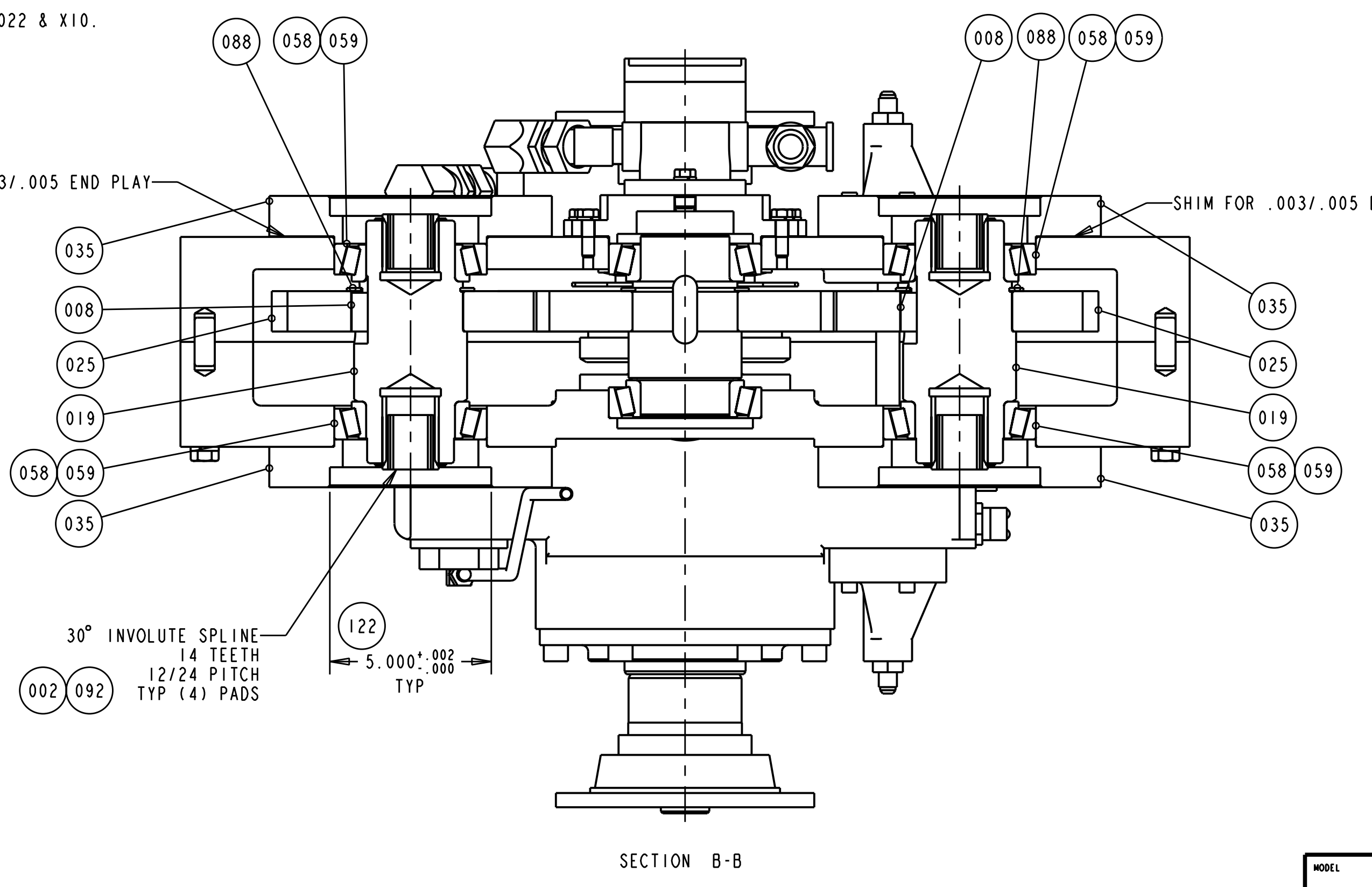
ENGINEERING CHANGE NOTICES				
LTR	DESCRIPTION	ECN	DATE	BY
A	WAS ITEM 003	8471	29-JAN-99	RJL
B	B1 - ADDED NOTE B2 - WAS 2500 RPM (SHT 1)	8507	09-MAR-99	SBL
C	REPLACED ITEM 12 WITH ITEM 12 AND 109 ADDED TORQUE NOTE	8550	07-Jun-99	ACH
D	ADDED RADIAL PLAY NOTES	8818	01-Nov-99	SBL
E	ADDED VALVE, FILTER REMOTE MOUNT (SHT 1)	8878	13-Jan-00	SST
F	F1: WAS +/- .001 F2: ADDED DIM (SHT 1)	9010	25-APR-00	SBL
G	ADDED TUBE ASSEMBLIES (SHT 1)	9131	06-Sep-00	RJL



NOTE: USE SILICONE RUBBER SEALANT AT ALL SPLITLINES

(B1) NOTE: APPLY (1) DROP LOCTITE THREAD LOCK OR EQUIVALENT TO ALL CAPSCREWS LOCATED IN THRU HOLES OF CASE & COVER

NOTE: STAMP SERIAL NUMBER ON PARTS 021, 022 & X10.



REVISION DATE
06-Sep-00

MODEL	TR2165	COTTA TRANSMISSION COMPANY, LLC 1301 PRINCE HALL DRIVE BELOIT, WI 53511	
DRAWN	BAN	DATE	18-May-98
CHECKED	BAN	DATE	29-MAY-98
APPROVED		DATE	
SCALE	0.313	SHEET	2 OF 2
DIMENSIONS ARE IN INCHES		PART NAME	TRANSFER CASE
		PART NUMBER	TR2165-7