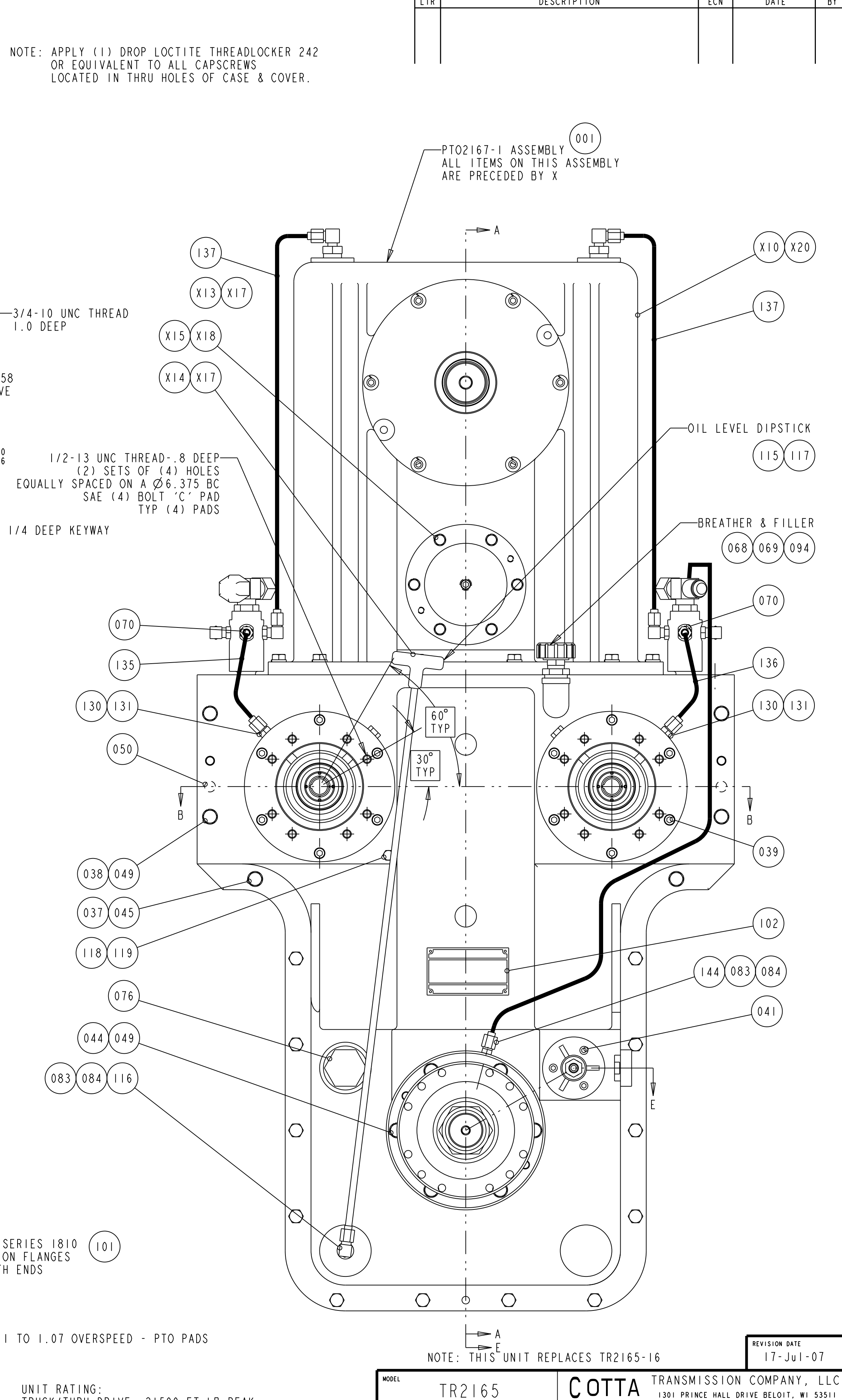
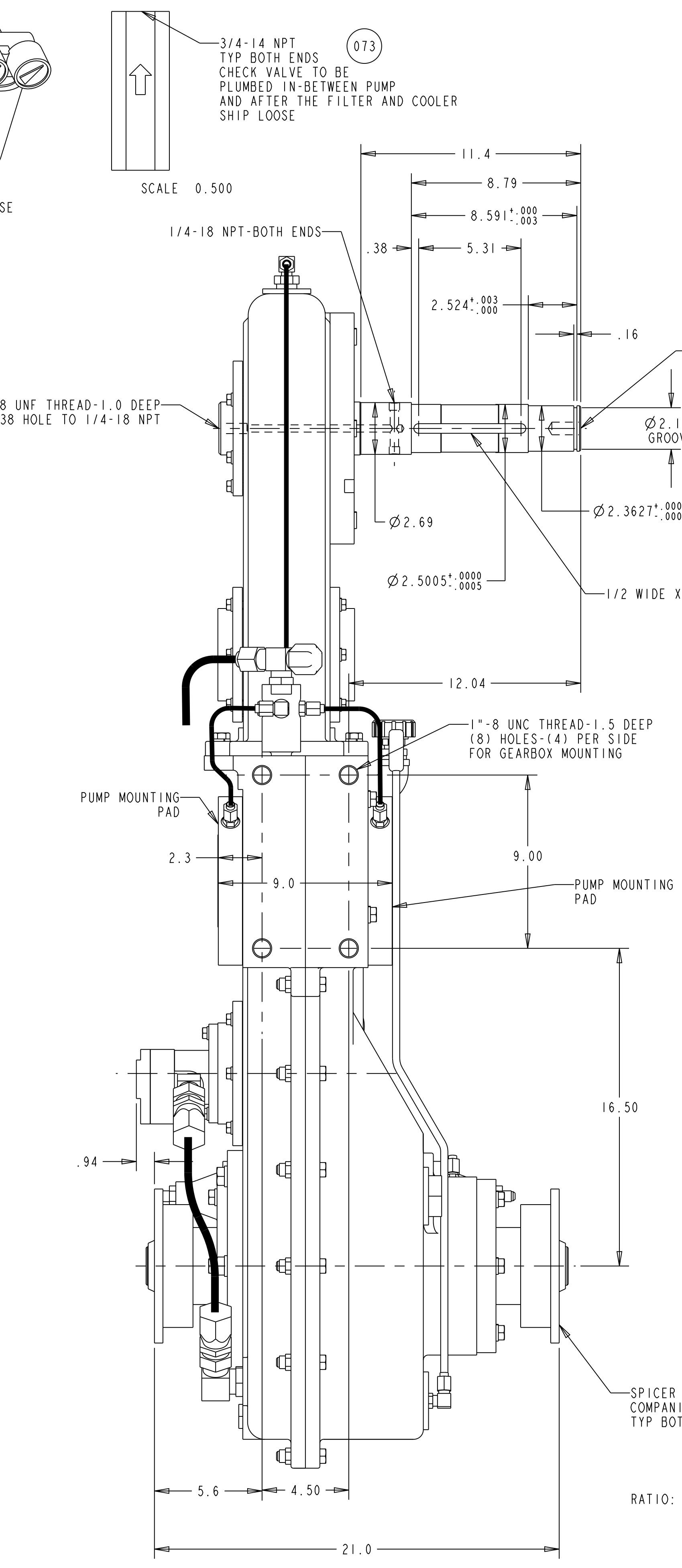
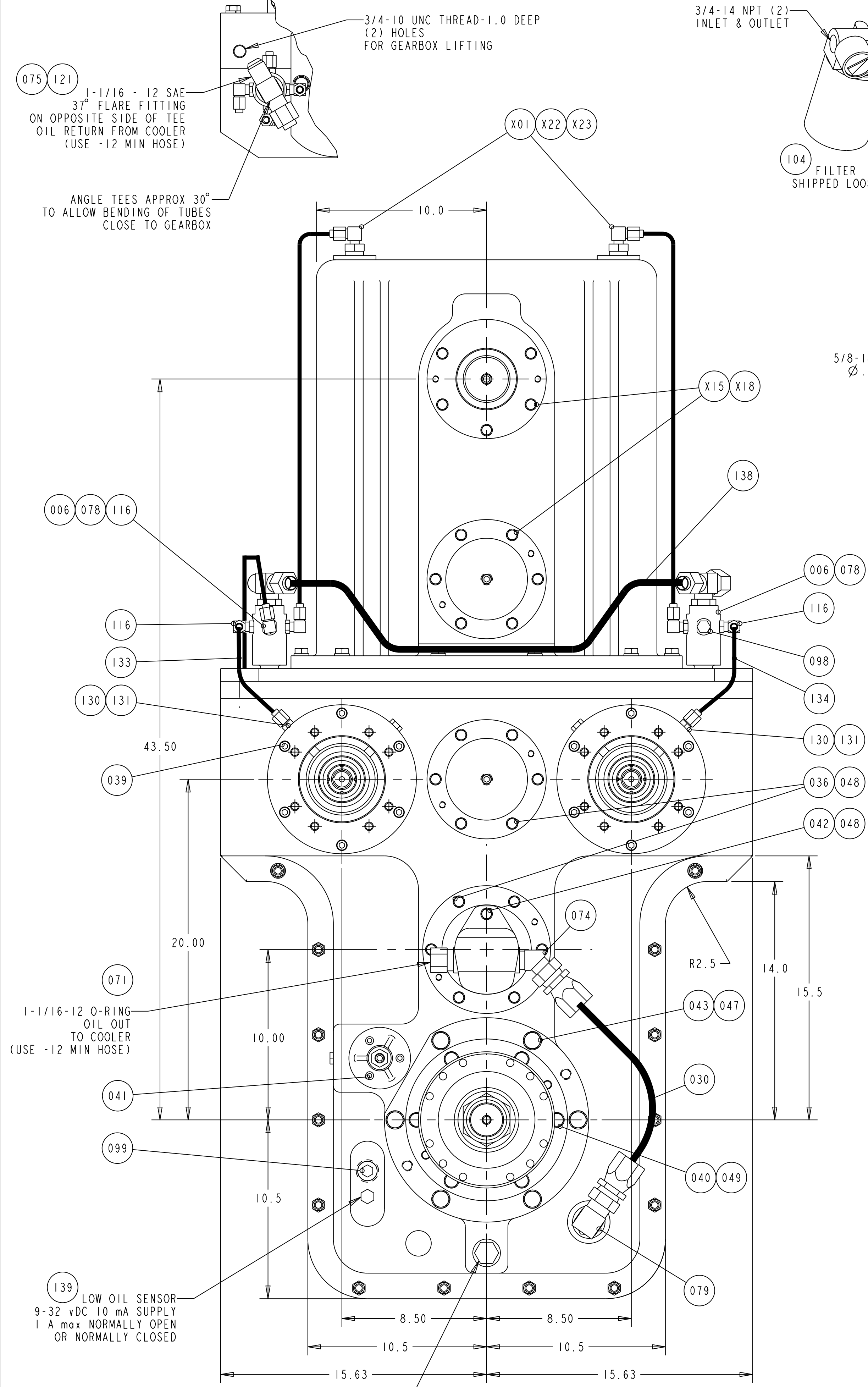


PROPRIETARY NOTICE: THIS DRAWING AND ALL INFORMATION THEREON IS THE PROPERTY OF COTTA TRANSMISSION COMPANY. THIS DRAWING IS NOT TO BE COPIED OR USED FOR THE PURPOSE OF MANUFACTURING EXCEPT BY WRITTEN CONSENT OF COTTA TRANSMISSION COMPANY.

ENGINEERING CHANGE NOTICES				
LTR	DESCRIPTION	ECN	DATE	BY

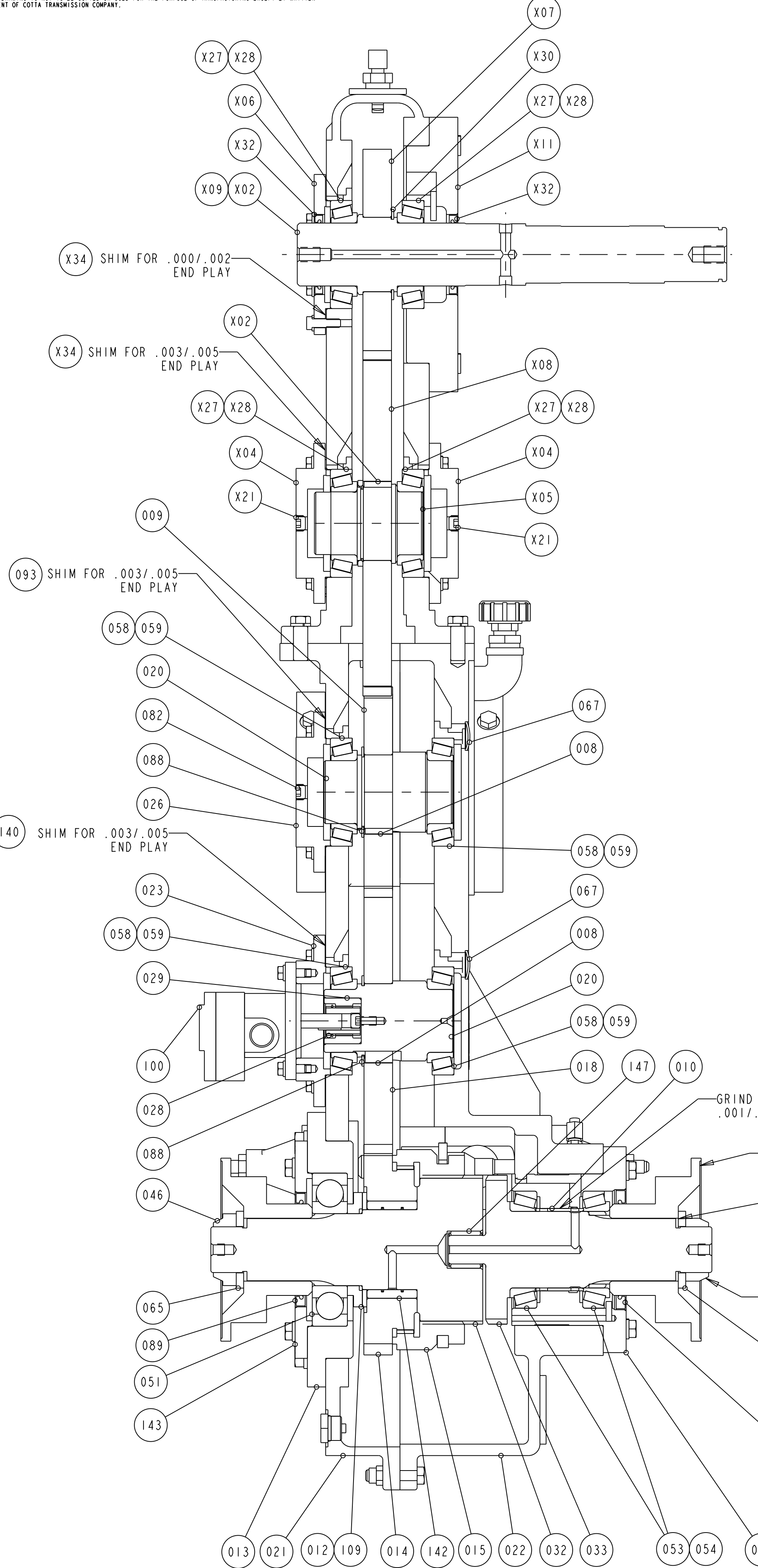


NOTE: APPLY (1) DROP LOCKITE THREADLOCKER 242 OR EQUIVALENT TO ALL CAPSCREWS LOCATED IN THRU HOLES OF CASE & COVER.

UNIT RATING:
 TRUCK/THRU DRIVE: 21500 FT-LB PEAK
 PTO DRIVE: 1200 FT-LB MAX TOTAL
 COMPRESSOR SHAFT: 1200 FT-LB
 SAE C PUMP PAD: 500 FT-LB PER PAD
 INPUT SPEED: 3000 RPM MAX

MODEL		REVISION DATE	
TR2165		17-Jul-07	
DRAWN RFA DATE 18-May-04		PART NAME	
CHECKED - DATE -		COTTA TRANSMISSION COMPANY, LLC 1301 PRINCE HALL DRIVE BELOIT, WI 53511	
APPROVED DATE		TRANSFER CASE	
SCALE 0.250 SHEET 1 OF 2		PART NUMBER	
DIMENSIONS ARE IN INCHES		TR2165-23	

ENGINEERING CHANGE NOTICES				
LTR	DESCRIPTION	ECN	DATE	BY



NOTE: USE SILICONE RUBBER SEALANT AT ALL SPLITLINES

NOTE: APPLY (1) DROP LOCTITE THREADLOCKER 242 OR EQUIVALENT TO ALL CAPSCREWS LOCATED IN THRU HOLES OF CASE & COVER

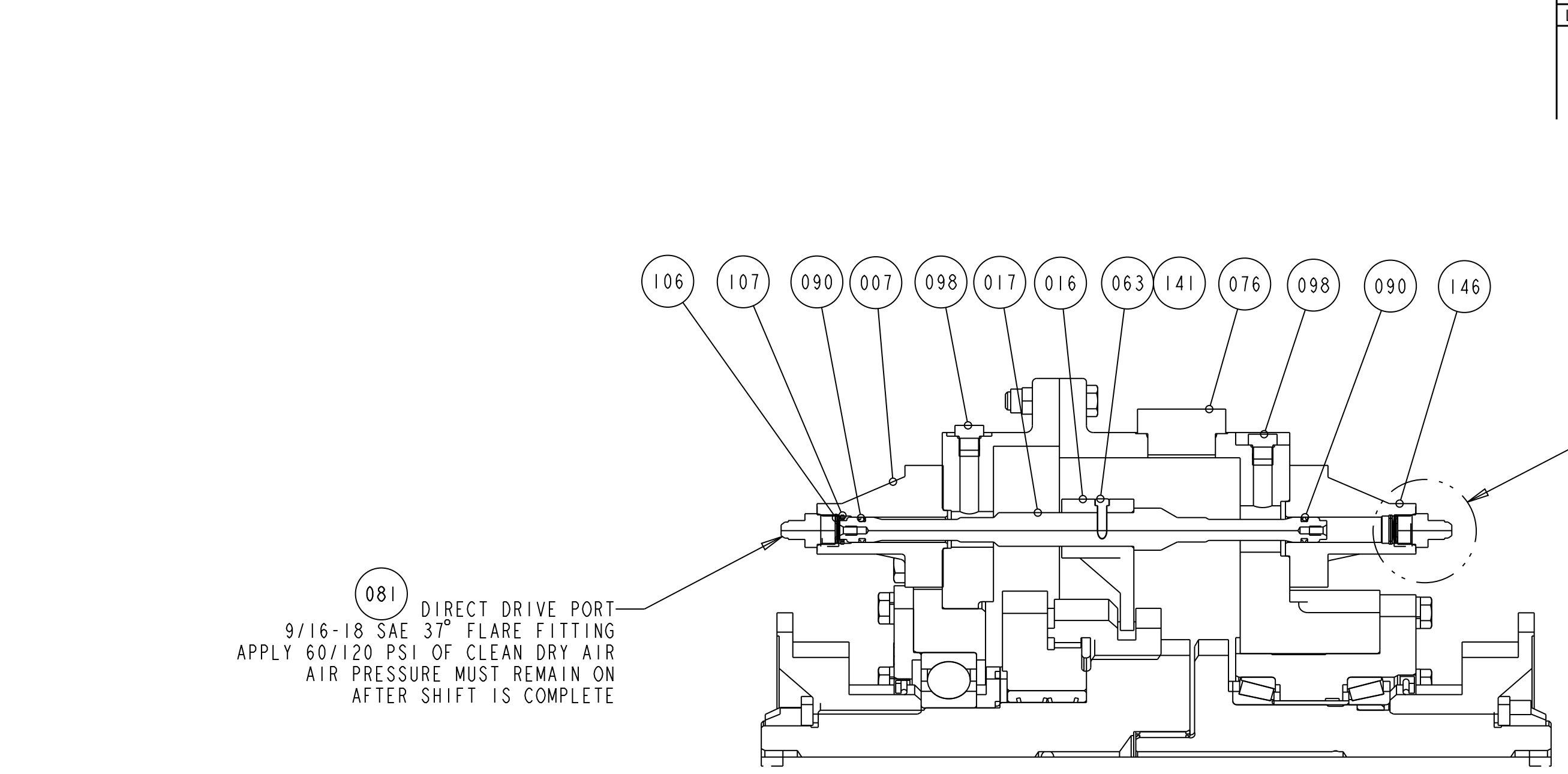
NOTE: STAMP SERIAL NUMBER ON PARTS 021, 022 & X10.

GRIND SPACER TO ACHIEVE .001/.003 END PLAY

ASSEMBLY NOTE: FLANGE CAN BE HEATED TO 225°F MAX TO INSTALL

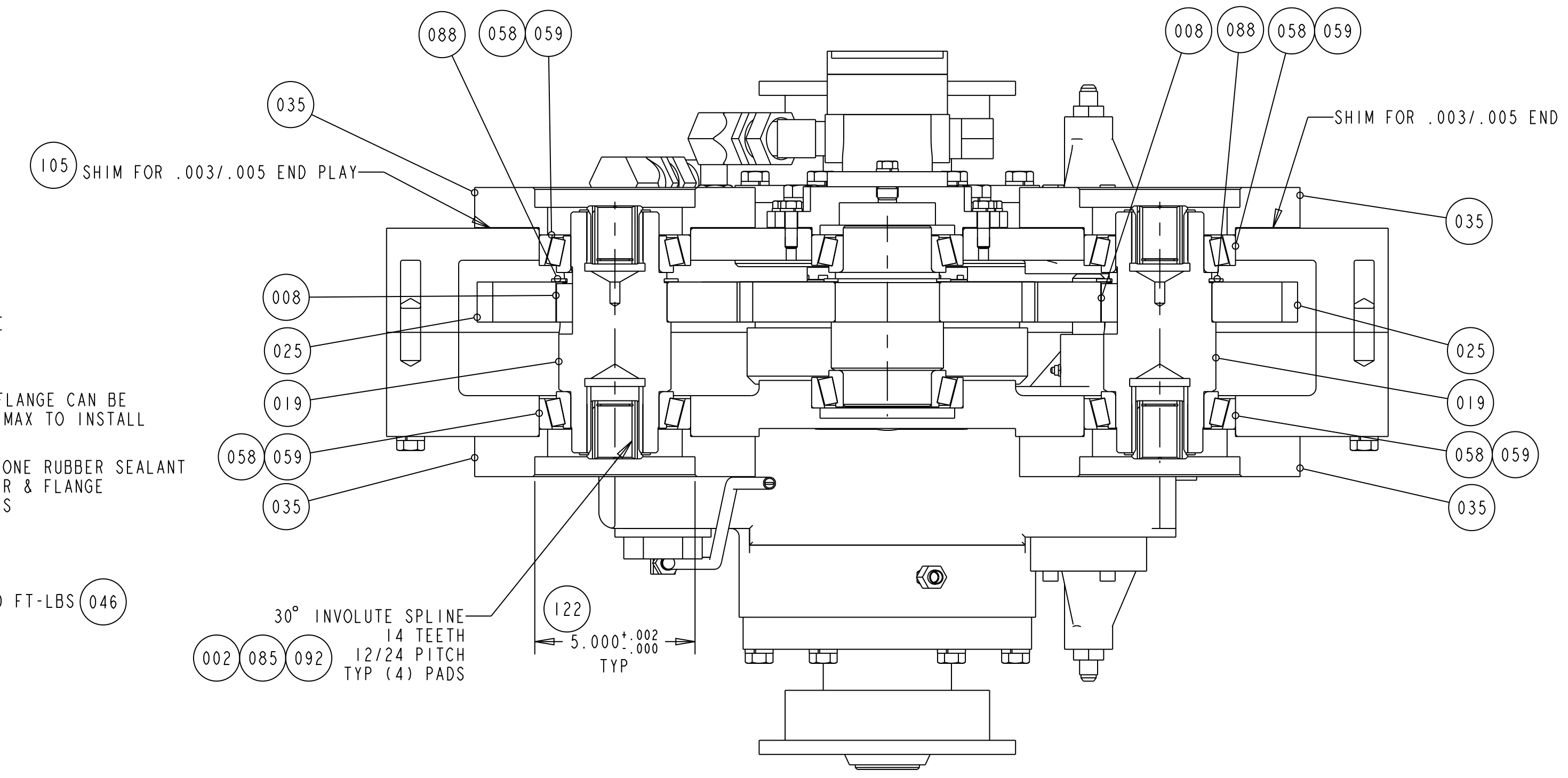
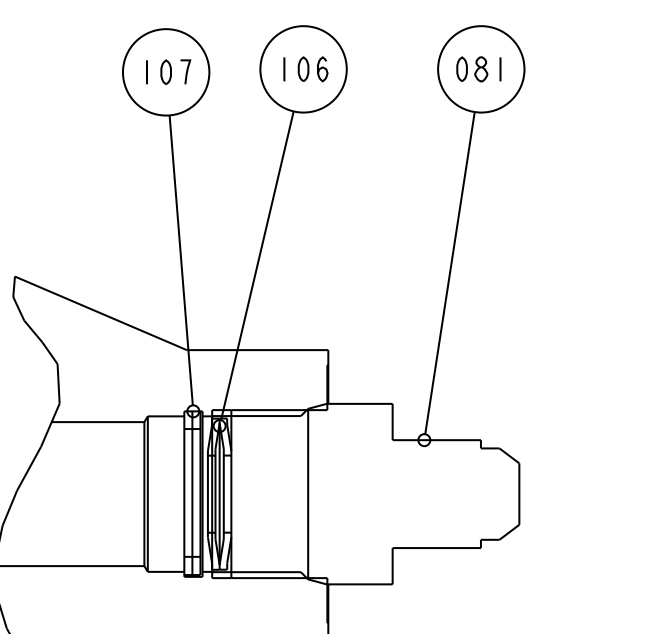
INSTALL SILICONE RUBBER SEALANT BETWEEN WASHER & FLANGE TYP (2) PLACES

TORQUE TO 100-350 FT-LBS TYP. (2)



SEE DETAIL D

PTO DRIVE PORT
9/16-18 SAE 37° FLARE FITTING
APPLY 60/120 PSI OF CLEAN DRY AIR
AIR PRESSURE MUST REMAIN ON
AFTER SHIFT IS COMPLETE



MODEL	TR2165	COTTA TRANSMISSION COMPANY, LLC 1301 PRINCE HALL DRIVE, BELLOIT, WI 53511		
DRAWN	RFA	DATE	18-May-04	PART NAME
CHECKED	-	DATE	-	TRANSFER CASE
APPROVED	-	DATE	-	PART NUMBER
SCALE	0.313	SHEET	2 OF 2	TR2165-23
DIMENSIONS ARE IN INCHES				

REVISION DATE
17-Jul-07