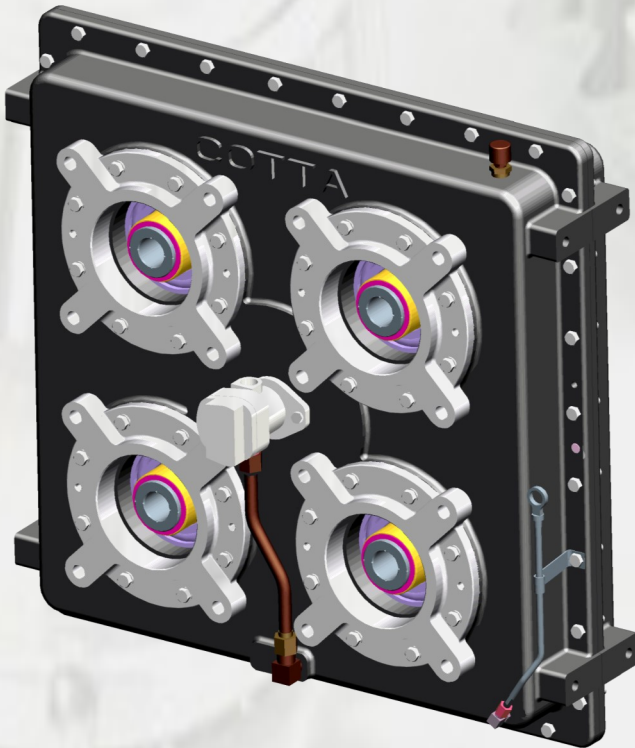
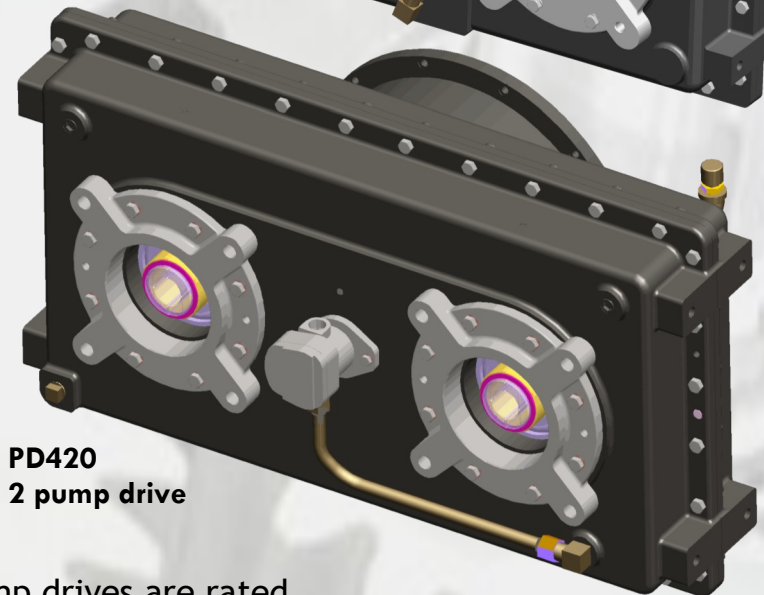
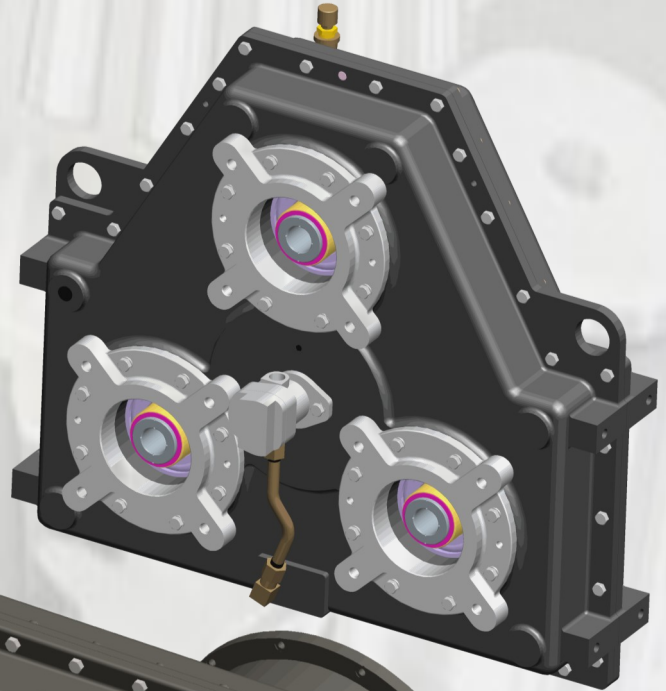


## NEW! X-treme series pump drives from Cotta...



**PD440**  
4 pump drive

**PD430**  
3 pump drive



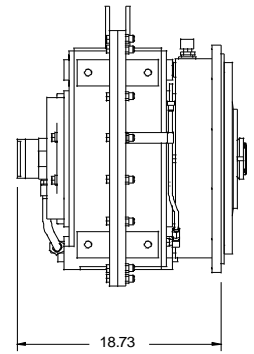
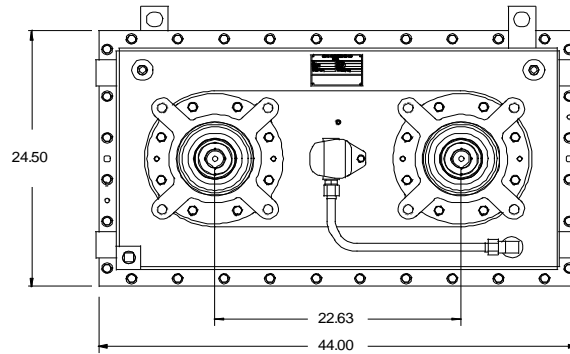
**PD420**  
2 pump drive

**Cotta X-treme** series 2, 3, and 4 pump drives are rated a solid 1500 HP. Use up to 900 HP per pad • SAE pump mounting pads are field configurable—simply order the pad and spline adapter you need and put it where you want it • Cotta drives can be driven either direction and used as power splitters or power combiners • SAE or DIN splines • Through drives can be provided • Through shafts with optional disconnect available • SAE bell housings available for direct mount to engines • ABS and DNV certifications if required.

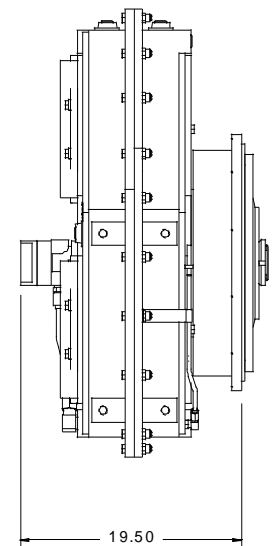
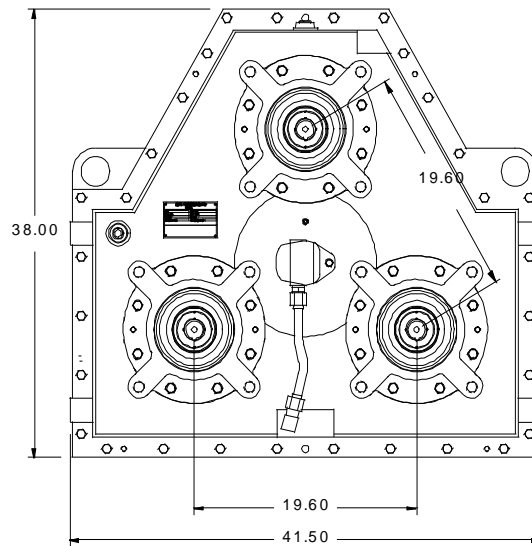
- Marine
- Rail
- Construction
- Dredging
- Drilling
- Hydraulic power
- Process equipment
- Oilfield
- Cranes

**PD420**

Max input power: 1500 HP  
 Max power / pad: 900 HP  
 Max input speed: 2200 RPM  
 Max input torque: 3600 lb-ft.  
 Max torque / pad: 2150 lb-ft.  
 Ratios: 1:1 , 1.015 OS  
 Pad sizes: SAE C-F  
 Approx weight: 1600 lbs.


**PD430**

Max input power: 1500 HP  
 Max power / pad: 900 HP  
 Max input speed: 2200 RPM  
 Max input torque: 3600 lb-ft.  
 Max torque / pad: 2150 lb-ft.  
 Ratios: 1:1 , 1.015 OS  
 Pad sizes: SAE C-F  
 Approx weight: 1750 lbs.


**PD440**

Max input power: 1500 HP  
 Max power / pad: 900 HP  
 Max input speed: 2200 RPM  
 Max input torque: 3600 lb-ft.  
 Max torque / pad: 2150 lb-ft.  
 Ratios: 1:1 , 1.015 OS  
 Pad sizes: SAE C-F  
 Approx weight: 2100 lbs.

