

MODEL TR2205 TRANSFER CASE

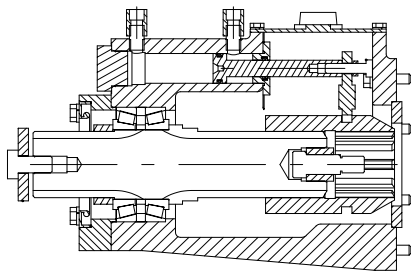
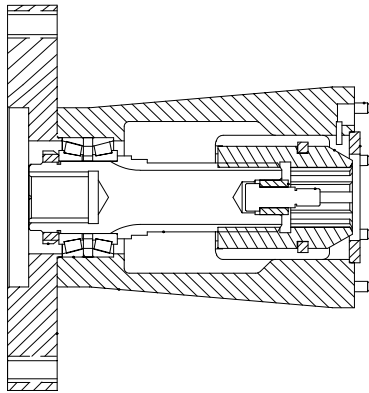
The TR2205 Transfer Case is designed for maximum application flexibility. The T-case is completely symmetrical with four identical Input/output stations. Each station has a 2.75 X 10 splined shaft which can be used as either an input or output.

Each station can also be fitted with an optional disconnect. These disconnects will accept companion flanges or yokes and can be used as axle disconnects or as PTO disconnects. An alternate line of disconnects is offered with integral SAE pump pads.

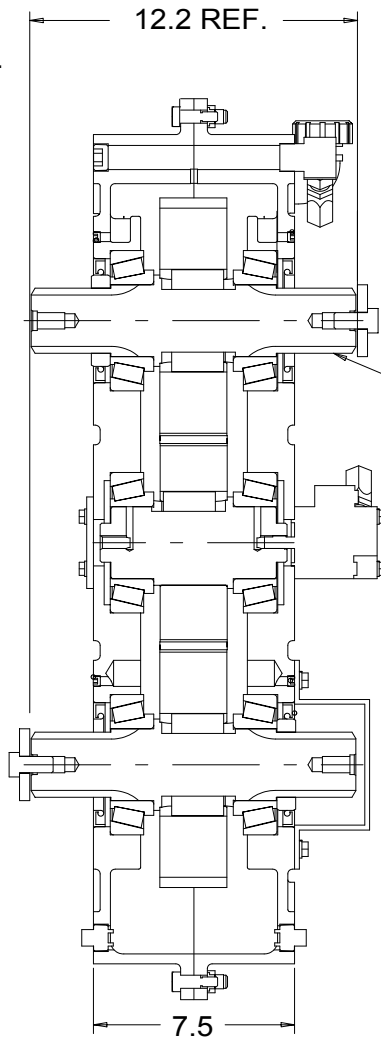
Depending upon disconnect selection, the TR2205 can be configured as a drop box, transfer case, pump drive or PTO.

Capacity:	17,000 lb-ft. maximum input torque
Maximum input speed:	3,000 RPM for short duration
Center distance:	17 inches
Rotation:	Output same as input
Lubrication:	Hybrid pump/splash
Ratio:	1:1
Gears	Precision ground helical
Bearings:	Tapered roller
Mounting:	4 holes each side
Weight:	600 lbs.
Disconnects:	2-3/4X10 spline B,C,D,E Pump pads.

Disconnect with pump mounting flange.



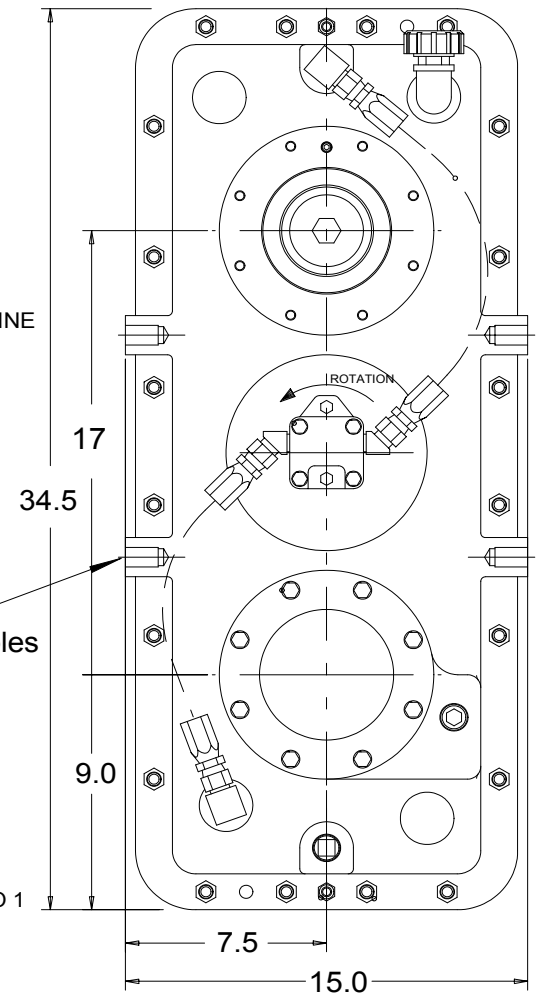
Disconnect with splined shaft.



2-3/4 - 10 SPLINE
TYP

(4) mounting holes
per side.

RATIO: 1 TO 1



TR2205 TRANSFER CASE