

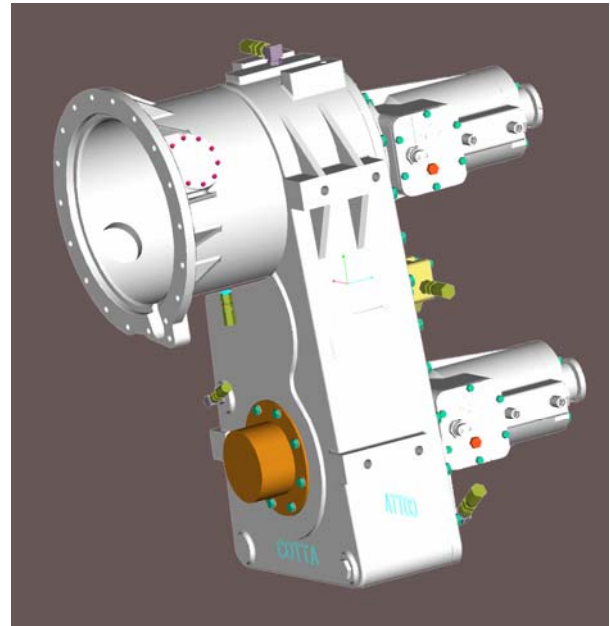
## TR1397 Transfer Case

### Direct mount to Allison 4700 OFS series transmissions

Model TR1397 is a three gear transfer case designed for direct mounting to Allison 4700 OFS series transmissions. The gearbox features a mounting flange, ground gears, and heavy duty case. The gearbox is designed for severe service in both mobile and stationary equipment.

An optional air shift disconnect can be added for the front axle, rear axle, and PTO.

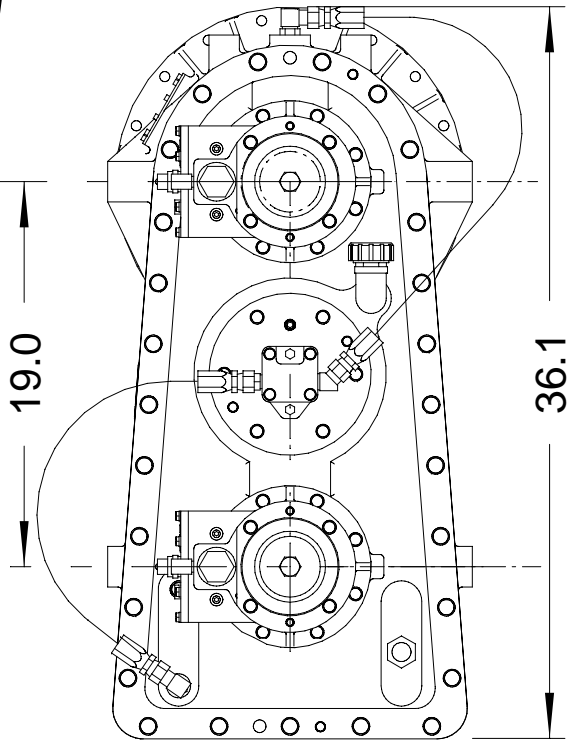
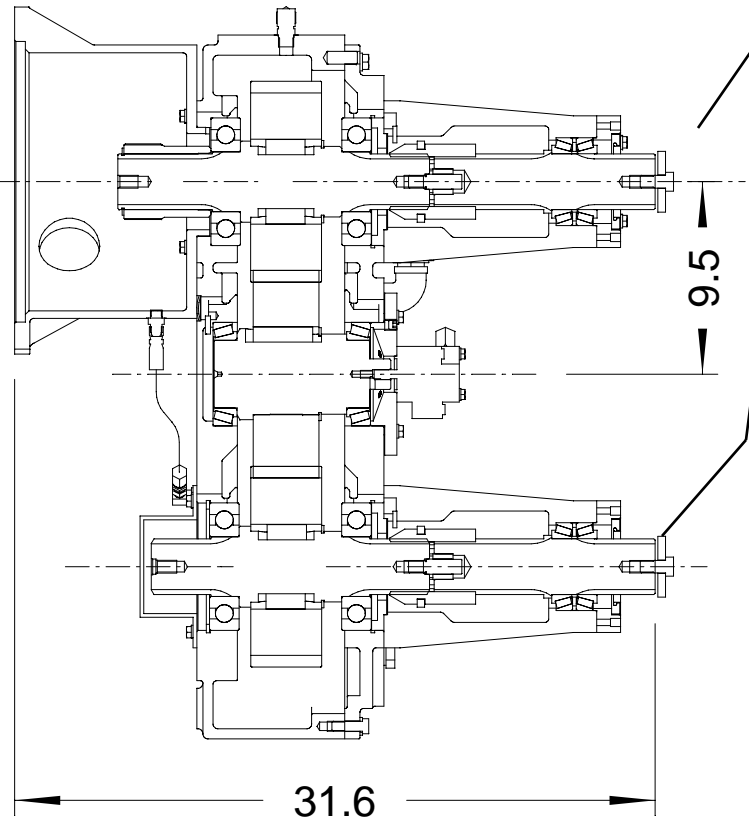
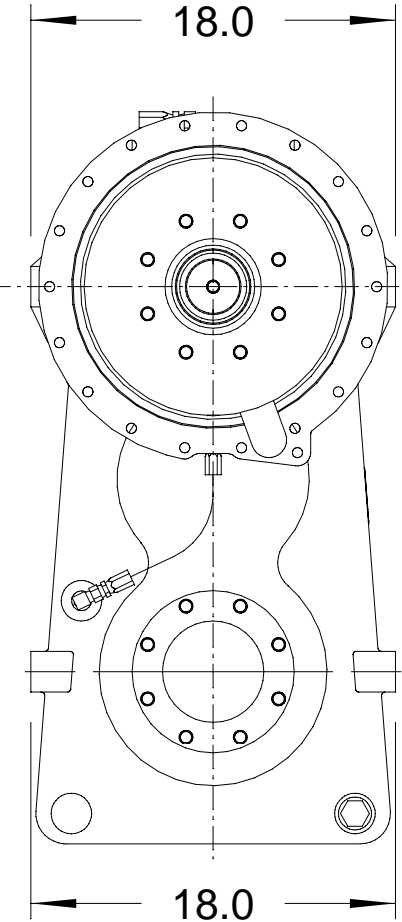
A remote mount version without the flange is also available.



<b>Capacity:</b>	17,000 lb-ft. max input torque
<b>Maximum input speed:</b>	2,800 RPM for short duration
<b>Center distance:</b>	19 inches
<b>Rotation:</b>	Output same as input
<b>Lubrication:</b>	Splash/Lube pump
<b>Ratio:</b>	1:1
<b>Gears</b>	Precision ground spur
<b>Bearings:</b>	Ball bearings
<b>Mounting:</b>	4 holes each side
<b>Weight:</b>	1400 lbs.
<b>Disconnect Options:</b>	2-3/4X10 spline SAE C,D,E pump pads

**TR1397** Series transfer case for  
direct mount to Allison 4700 OFS transmissions

Unit shown with optional discon-  
nects for PTO and rear axle



Do not scale or lay out from this drawing. Use only certified blueprints provided with your order