

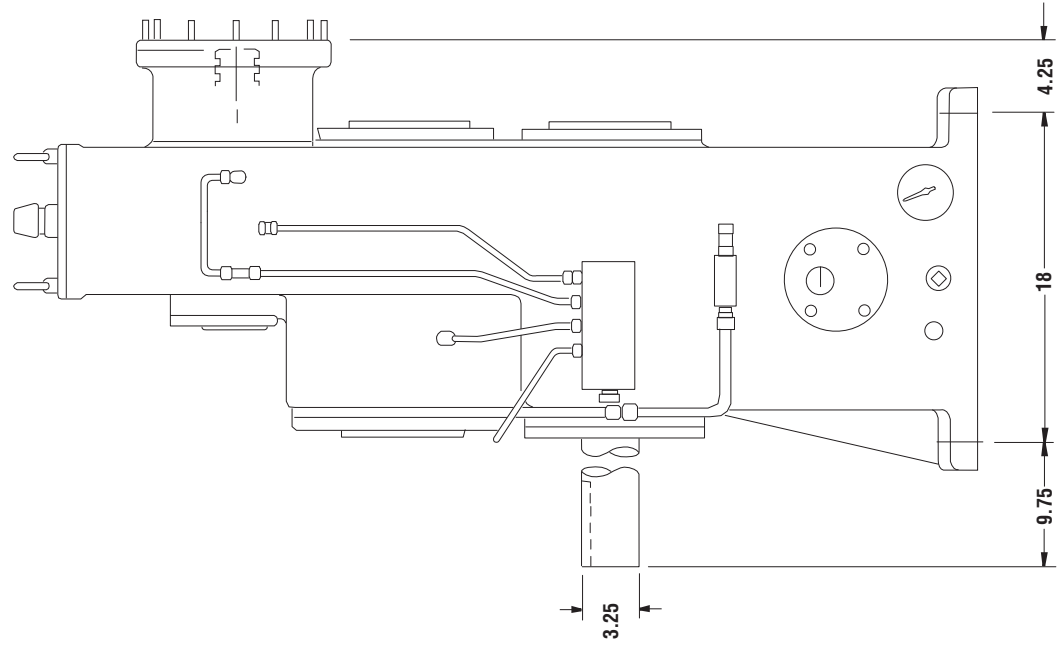
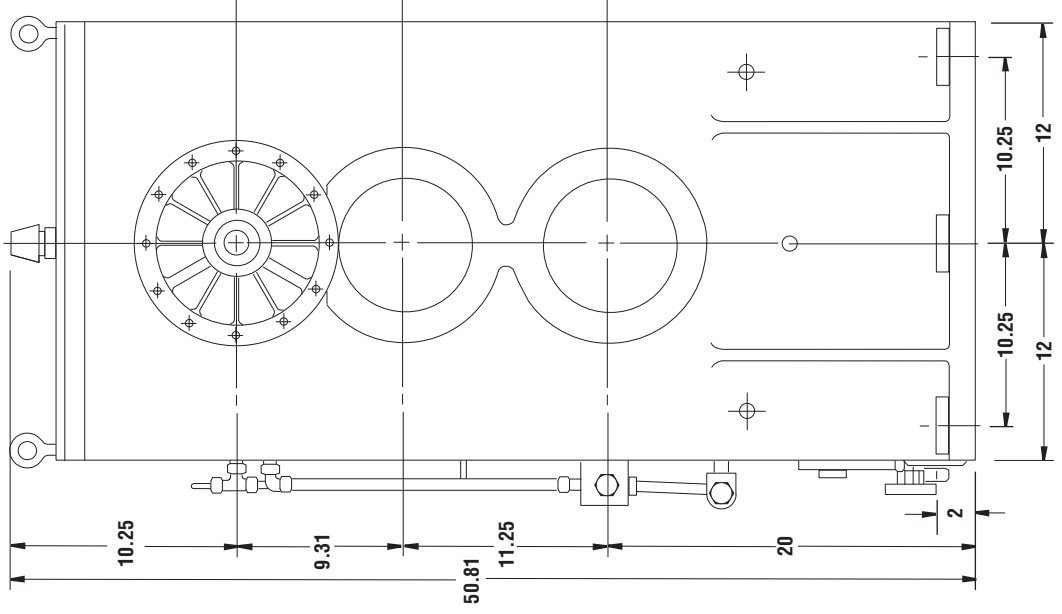
MODEL SN1903
HIGH SPEED

Model SN1903 is a foot mounted high speed transmission designed for test stand use. It has a double train of gears that are helical, carburized and precision ground per AGMA class Q-12. The bearings are anti-friction. The case is stress relieved fabricated steel.

| | |
|--|---|
| MAX. HORSEPOWER: | 600 HP |
| MAX. OUTPUT SPEED: | 30,000 RPM |
| RATIOS: | 8.106, 9.643, 10.16, 10.39, 11.198, 12.12 (Contact Cotta for other ratios up to 16.55) |
| INPUT SHAFT: | 3.25" diameter with .750W x .3875W keyway |
| OUTPUT: | AND20006 |
| DIRECTION OF ROTATION: | Bi-rotational, output rotation is the same as input rotation |
| ACCELERATION/DECELERATION RATE: | 2000 RPM/second |
| LUBRICATION: | AGMA Grade 1, ISO viscosity grade 46 Separate motor driven lube pump furnishing oil spray at gear meshes and bearings Heat exchanger with modulating water control valve 10 micron filter Oil sump is in case |
| ACCESSORIES: | Oil level gauge Temperature/pressure switch to signal high oil temperatures or low pressures |
| OPTIONS: | 60 tooth gear for customers speed pick-up Other output pads |
| FINISH: | Two coats gray polyurethane enamel |
| WEIGHT: | 1650 lbs |

MODEL SN1903

HIGH SPEED



DO NOT USE DIMENSIONS ON THIS DRAWING FOR INSTALLATIONS. USE CERTIFIED PRINT PROVIDED WITH ORDERS.