

MODEL SN2055
HIGH SPEED

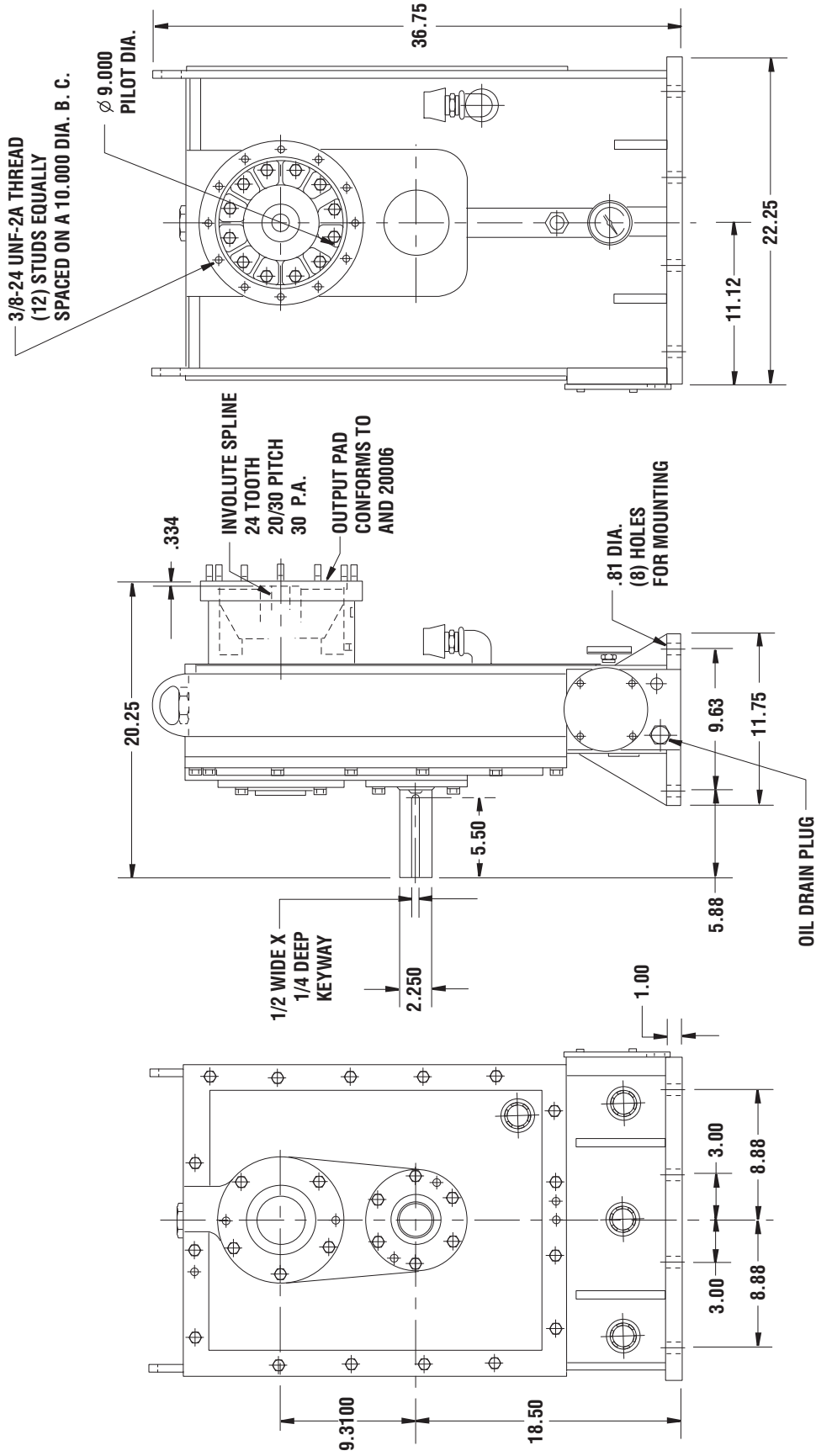
Model SN2055 is a foot mounted high speed gear box designed for test stand use. This model has a stub input and an AND20006 output pad. The gears are helical, carburized and precision ground per AGMA Q- 12. The bearings are anti-friction. The case is stress relieved fabricated steel.

MAX. HORSEPOWER:	600 HP
MAX. OUTPUT SPEED:	30,000 RPM
RATIOS:	1.29, 2.94, 3.18, 4.26, 6.10 (Contact Cotta for other available ratios)
INPUT SHAFT:	2.25" diameter x 10" long with keyway
OUTPUT:	AND20006 Type XVI pad
OUTPUT ADAPTERS:	1 - 16 teeth 20/30P .800 P.D. 1 - 24 teeth 20/30P 1.20 P.D. 1 - 26 teeth 16/32P 1.625 P.D.
DIRECTION OF ROTATION:	Bi-rotational—output opposite to input
ACCELERATION/DECELERATION RATE:	2000 RPM/second at output shaft
LUBRICATION:	AGMA Grade 1, ISO viscosity grade 46 Oil spray on bearings and gear meshes Separate motor driven lube pump 10 micron filter Oil sump is in case
COOLING:	Water to oil heat exchanger with modulating water control valve
ACCESSORIES:	Temperature/pressure switch to signal high oil temperatures or low pressures
OPTIONS:	Stub output shaft, 1.760" diameter with k.w. 60 tooth gear for customers speed pick-up AND20007 output pad
FINISH:	Two coats polyurethane enamel
WEIGHT:	825 lbs

Contact Cotta for final approval on all applications providing information on the prime mover, ratio, application, speed and installation requirements.

MODEL SN2055

HIGH SPEED



DO NOT USE DIMENSIONS ON THIS DRAWING FOR INSTALLATIONS. USE CERTIFIED PRINT PROVIDED WITH ORDERS.