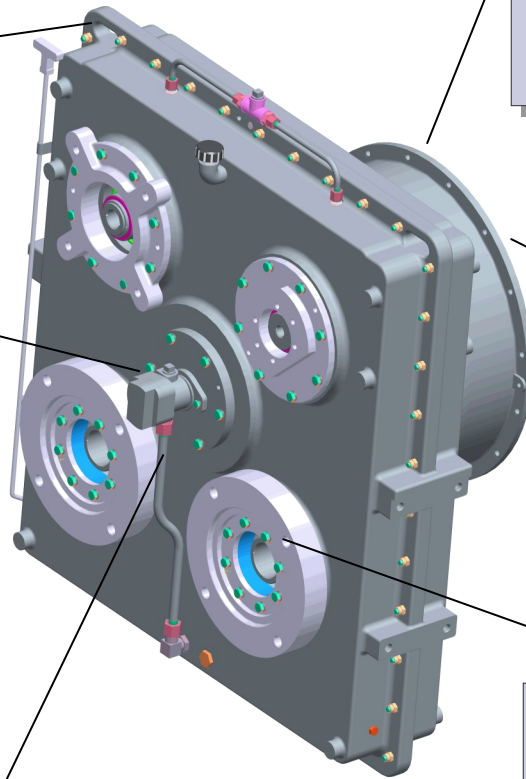


Standard case is cast iron for strength and rigidity. For custom designs, stress relieved steel fabrications are used.

A through shaft can be provided. Add optional disconnect for intermittent drive requirements.

Lube pump, heat exchanger, and lube distribution circuit is provided.



SAE housings from 00 (shown) to 1 for minimum installation space. Delete housing for remote mounting.

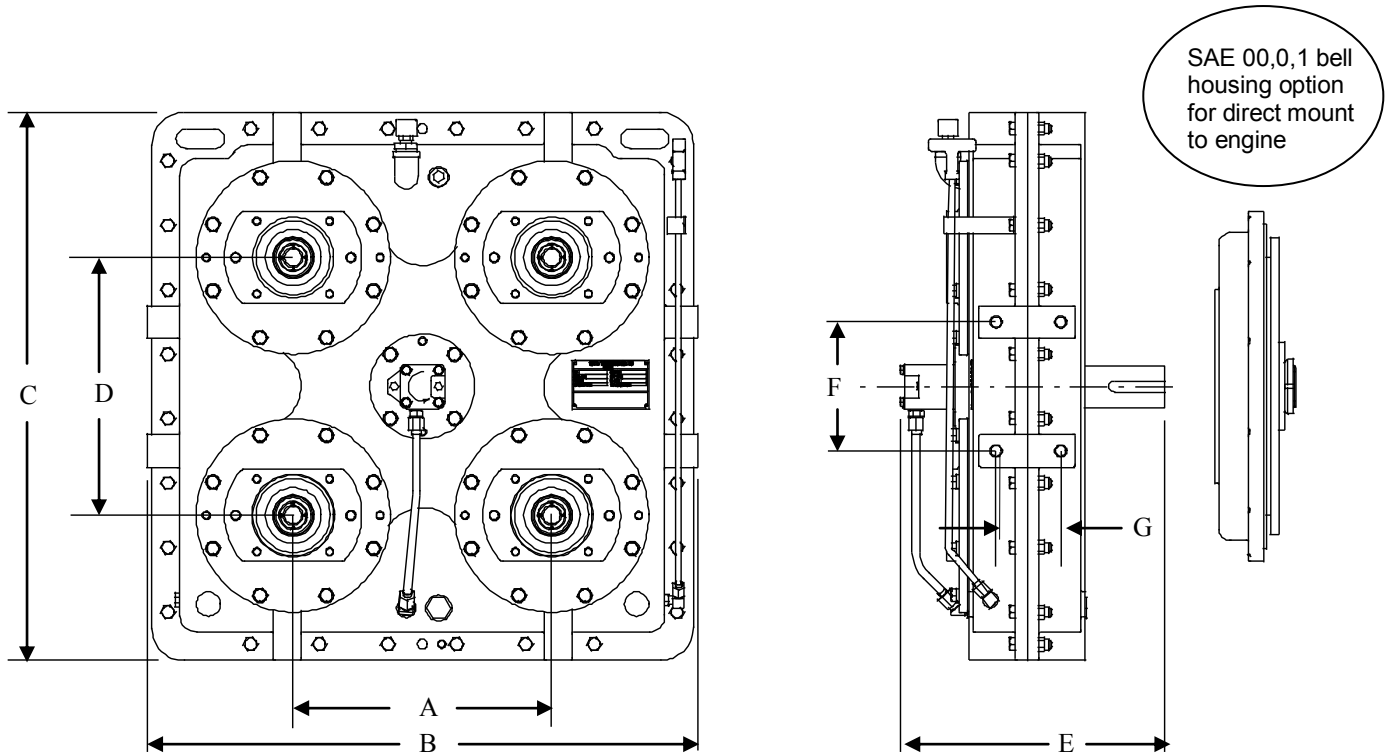
Various flywheel couplings including over center clutches, torsional couplings, drive plates, air clutches.

Interchangeable pump pads from SAE B to F can be used on any station. DIN spec pads available. Field configurable.

High capacity 4 station pump drives...

Cotta pump drives can be provided with up to 8 output stations • Mounting pads are field configurable—simply order the pad and spline adapter you need and put it where you want it • Pad capacity is not limited to 1/4 input power. Consult model info for max pad capacity • Cotta drives can be driven either direction and used as power splitters or power combiners • SAE or DIN splines • Through drives can be provided • Through shafts with optional disconnect available • ABS and DNV certifications if required.

- **Marine**
- **Rail**
- **Construction**
- **Dredging**
- **Drilling**
- **Hydraulic power**
- **Process equipment**



This tabulation provides basic capacities and dimensions and should be used only for comparison and initial selection. Do not lay out from this chart. Use certified drawing for installation. Dimensions are in inches unless specifically noted.

Model	Max Input Torque	Max Input Speed	Max Pad Torque	Avail Pad Size	Ratio range *	A	B	C	D	E **	F	G	Weight
PD2225	3100 lb-ft	2100 rpm	675 lb-ft	C-E	.8-1.2	23.58	43.3	41.25	23.58	13.5	350 MM	60 MM M20	2100 lbs
PD2255	2500 Lb-ft	2200 rpm	2200 Lb-ft	B-F	.987 .824	16.0	34.0	34.0	16.0	15	8	4 3/4-10	1400 lbs
PD2266	6000 lb-ft	2000 rpm	4500 lb-ft	B-F	1-1.17	21.21	46	50	21.21	20	6	13 3/4-10	3200 lbs
PD2263	10,700 lb-ft	2100 rpm	4500 lb-ft	custom	1.014	29.7	62	65	29.7	30	17.5	3.25 1-8	6100 lbs

- Cotta Pump Drives can be driven either cw or ccw.
- Pad rotation is opposite input except for PD2225 which uses idlers to provided same as input rotation..
- A torsional analysis is recommended for all rotating systems.
- ** "E" dimensions are approximate and depend upon options such as bell housing size, remote mount, shaft length, etc. Consult Cotta for exact dimensions.
- * Decimal ratios are reduction. Multiply max speed by ratio number.