

**MODEL GR1600A  
REDUCTION GEAR**

Model GR1600A is a heavy duty reduction gear having anti-engine rotation that includes a clutch and mounts to an engine for a compact package with proper alignment. The gears are helical and carburized for ultimate strength and endurance. Gears are designed per AGMA specifications and are precision ground. The bearings are tapered roller and the case is cast iron. A wide variety of ratios are available.

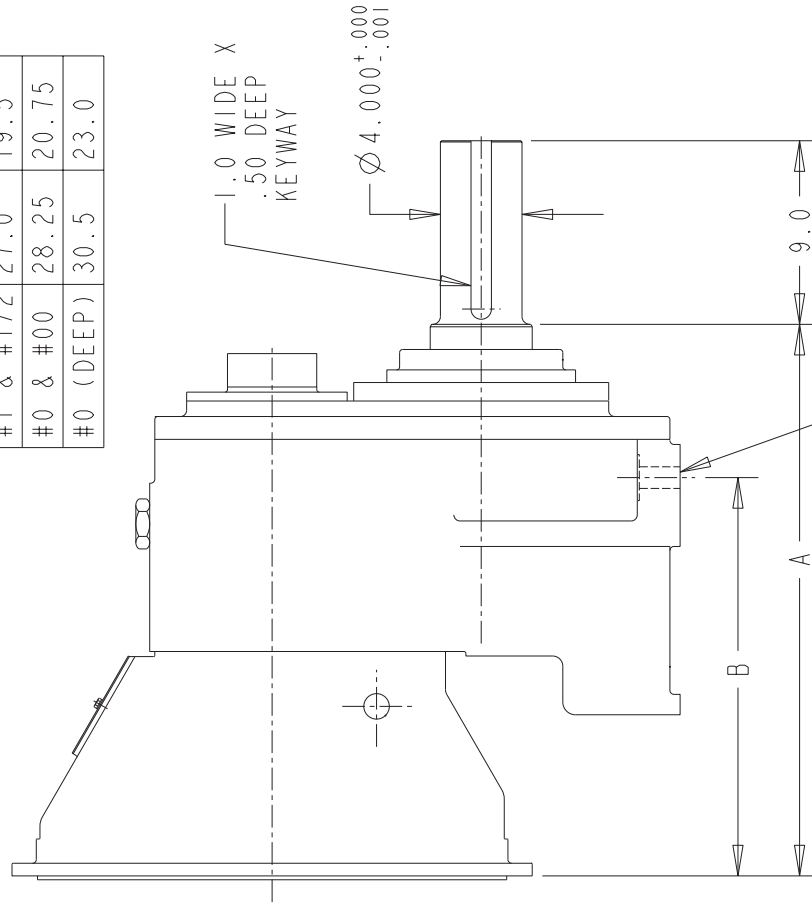
<b>CAPACITY (nominal input torque):</b>	3000 lb. ft.
<b>MAXIMUM INPUT SPEED:</b>	2200 RPM
<b>RATIOS:*</b>	1.35, 1.44, 1.54, 1.65, 1.77, 1.90, 2.21, 2.39, 2.59, 2.81, 3.07
<b>BELL HOUSINGS:</b>	SAE #1, #1/2, #0, #00
<b>CLUTCHES:</b>	SP314, IBF314, SP218, SP318, IBF318, SP321, 14", 18" and 21" rubber block drives
<b>OUTPUT SHAFT:</b>	4.000" diameter, 9" long with 1" x 1/2" keyway
<b>REAR SUPPORT:</b>	Two mounting feet are provided
<b>LUBRICATION:</b>	Lube pump is furnished 32 pints sump capacity
<b>COOLING:</b>	A heat exchanger is furnished
<b>WEIGHT:</b>	1600 lbs

\*Note—Ratios above 2.0 to 1 can't be used with SP321 clutch

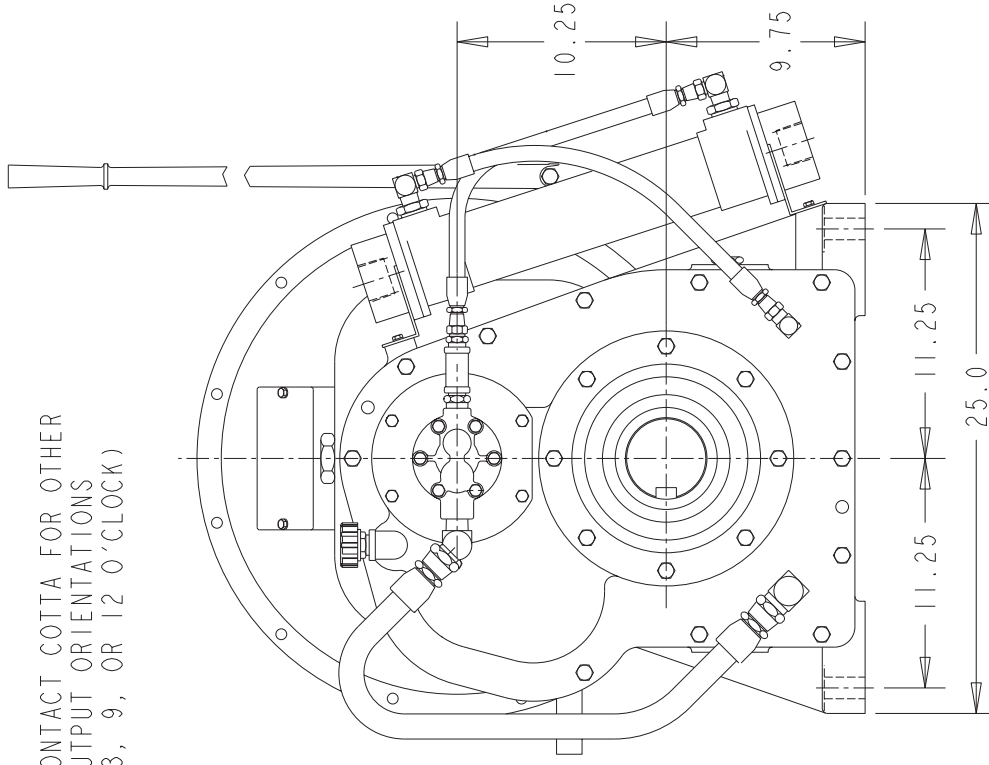
07/31/03

# MODEL GR1600A REDUCTION GEAR

BELLHSG SAE#	DIM A	DIM B
#1 & #1/2	27.0	19.5
#0 & #00	28.25	20.75
#0 (DEEP)	30.5	23.0



CONTACT COTTA FOR OTHER  
OUTPUT ORIENTATIONS  
(3, 9, OR 12 O'CLOCK)



DO NOT USE DIMENSIONS ON THIS DRAWING FOR  
INSTALLATIONS, USE CERTIFIED PRINT PROVIDED  
WITH ORDERS.