

MODEL GO1901A
SPEED INCREASER

Model GO1901A is a heavy duty speed increaser with anti-engine rotation. The gears are helical, carburized to RC 59-61 and are precision ground to AGMA class Q-12 for increased strength and quiet operation. The bearings are tapered roller. The case is stress relieved, fabricated steel.

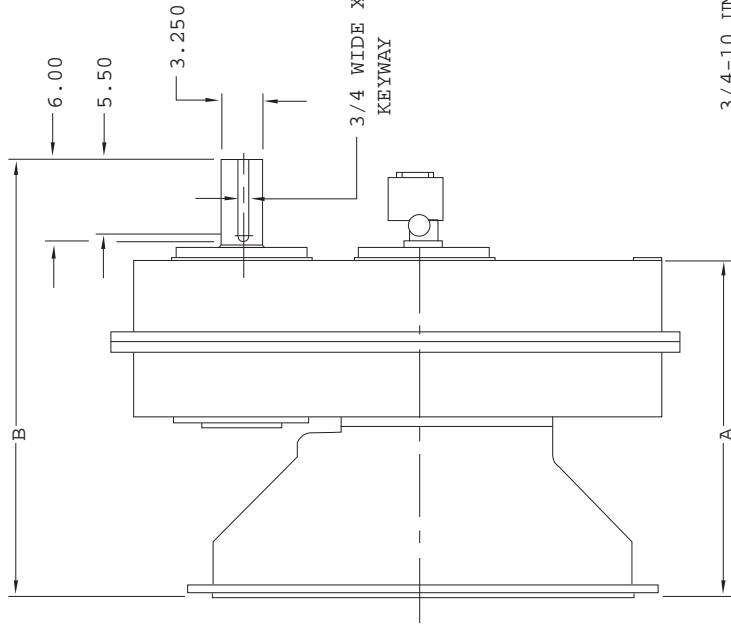
This model is available with a SAE bell housing and clutch (or rubber block drive or coupling) for unit mounting to an engine. It can also be furnished with a stub input shaft for independent mounting.

CAPACITY:	7900 ft. lbs
MAXIMUM INPUT SPEED:	2500 RPM
MAXIMUM OUTPUT SPEED:	4800 RPM
RATIOS:	1.28, 1.54, 1.97, 2.54, 2.967, 3.52, 4.0, 4.24, 5.0
INPUT HOUSINGS:	SAE #0, #00
INPUT CLUTCHES:	Over center type clutches, rubber block drives or couplings to fit various engine fly-wheels.
OUTPUT SHAFT:	3.25" diameter x 6.0" long with .75 x .375 keyway
OUTPUT SHAFT LOCATION:	12 o'clock - output is above the input shaft when viewed from rear
LUBRICATION:	Lube pump is furnished for oil spray on bearings and gear. Sump is in case.
COOLING:	Heat exchanger is furnished
ACCESSORIES FURNISHED:	Oil level sight gauge, filter, temperature/pressure switch, relief valve
OPTIONS:	Stub input shaft 4.500" diameter x 6" long with a 1" wide x 1/2" deep keyway when independently mounted
WEIGHT:	2100 lbs

07/31/03

MODEL GO1901A SPEED INCREASER

INPUT HOUSING	A	B	CLUTCH SIZE
SAE #1	23.50	30.65	SP314, IBF214
SAE #0	24.75	31.90	SP218
SAE #0	27.00	34.15	SP318
SAE #00	29.00	36.15	SP 321
SAE #00	24.75	31.90	21" R.B.D.



CUSTOMER TO FURNISH MOUNTING BRACKETS TO SUIT.

DO NOT USE DIMENSIONS ON THIS DRAWING FOR INSTALLATIONS. USE CERTIFIED PRINT PROVIDED WITH ORDERS

