

**MODEL AR2053A
REDUCTION GEAR**

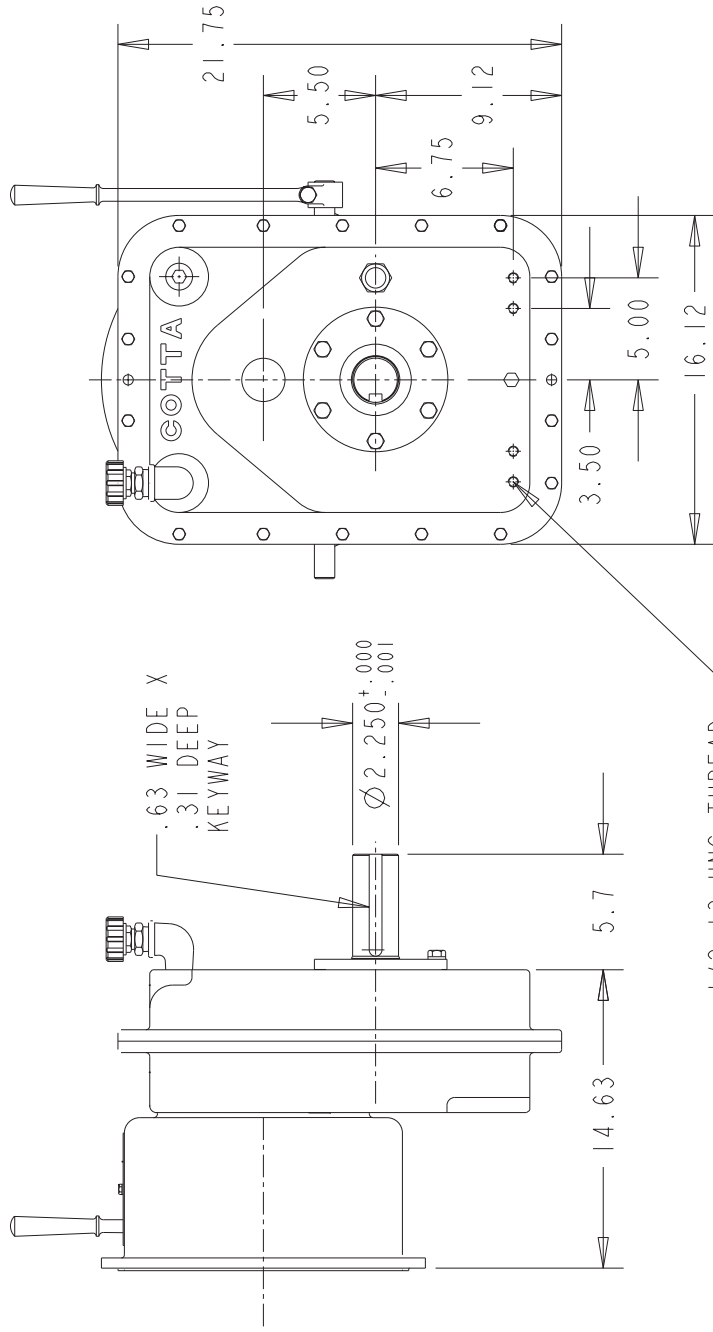
Model AR2053A is a heavy duty reduction gear having anti-engine rotation that includes a clutch and mounts to an engine for a compact package with proper alignment. The gears are helical and carburized for ultimate strength and endurance. Gears are designed per AGMA specifications. The bearings are tapered roller and the case is heavy cast iron. A wide variety of ratios are available.

CAPACITY (nominal input torque):	300 lb. ft.
MAXIMUM INPUT SPEED:	With C108 or C110 clutch - 3000 RPM With SP111 or SP211 clutch - 2850 RPM
RATIOS: (STANDARD) (SPECIAL)	1.55, 2.0 1:1, 1.4, 1.63, 1.80, 2.23, 2.50, 3.0 (3.94 is a special ratio - not available with SP211 clutch)
BELL HOUSINGS:	SAE #2, #3, #4
CLUTCHES:	C108, C110, SP111, SP211
OUTPUT SHAFT:	2.250" diameter, 5" long 5/8 x 5/16 keyway
REAR SUPPORT:	4 holes 1/2-13 on rear cover for customer's support plate
LUBRICATION:	Splash
WEIGHT:	400 lbs

07/31/03

MODEL AR2053A REDUCTION GEAR

OUTPUT CAN BE ORIENTED
AT 6 OR 12 O'CLOCK POSITION



1/2-13 UNC THREAD
TYP (4)
FOR GEARBOX MOUNTING

DO NOT USE DIMENSIONS ON THIS DRAWING FOR
INSTALLATIONS, USE CERTIFIED PRINT PROVIDED
WITH ORDERS.